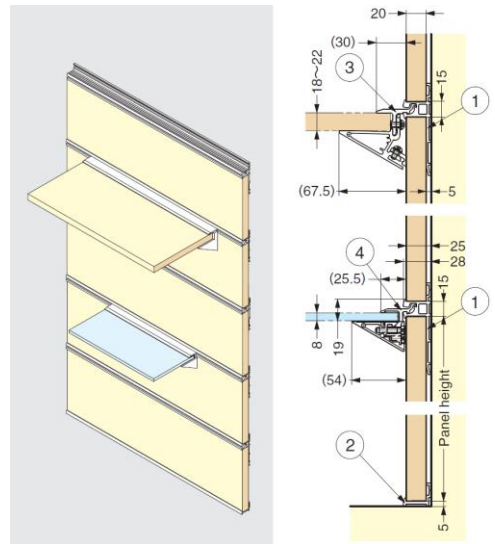
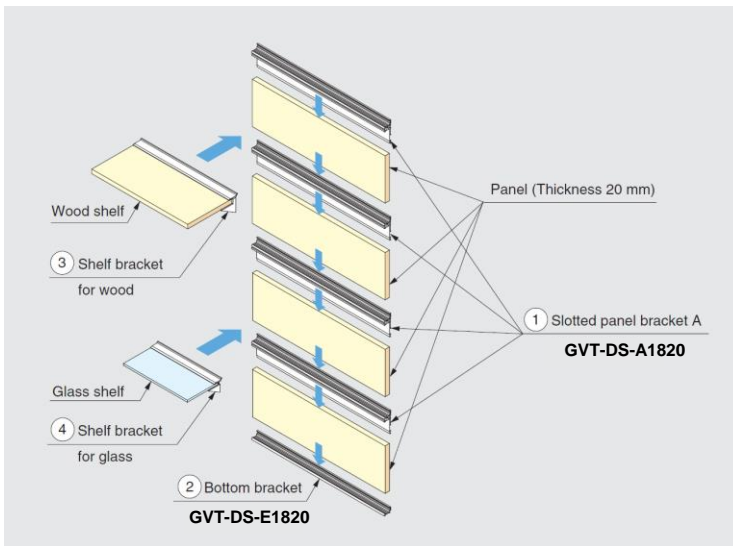


## GVT-DS Level Adjustable Shelving System



### Features

- Slotted shelving system for flexible layout
- Shelves can be installed anywhere in the slot
- Simple and easy installation
- Use with desired panel to match the surrounding design
- Panel size : Thickness - 20 mm  
Width - Max. 1820 mm  
Height - 105 ~ 405 mm  
*\*Panel not included*
- Shelf bracket for wood or glass available (Shelf board not included)
- Level adjustable



Part No.	Dimensions	Material	Finish/ Colour	Length L	Panel Thickness	Shelf Board			Load Capacity**		Weight
						Width	Depth	Thickness			
① <b>GVT-DS-A1820</b>		Aluminium Alloy	Anodized Silver	1820	20	-	-	-	-	-	2.6 kg
② <b>GVT-DS-E1820</b>		Aluminium Alloy	Anodized Silver	1820	20	-	-	-	-	-	0.8 kg
③ <b>GVT-DS-X-450</b>		Aluminium Alloy, ABS	Anodized Silver, Grey	443	-	450~600	150~300	18~22	392 N	40 kgf	1.2 kg
<b>GVT-DS-X-800</b>				793							800~900
④ <b>GVT-DS-G-450</b>		Aluminium Alloy, ABS	Anodized Silver, Grey	443	-	450~600	150~300	8	98 N	10 kgf	0.8 kg
<b>GVT-DS-G-685</b>				678							685~900

\*\*Load capacity does not include weight of shelf.